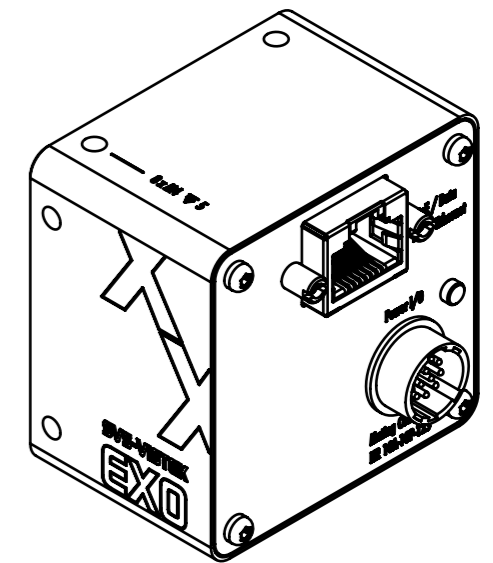
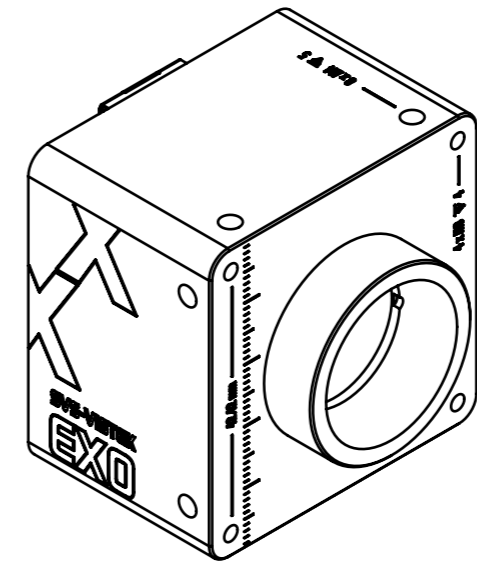
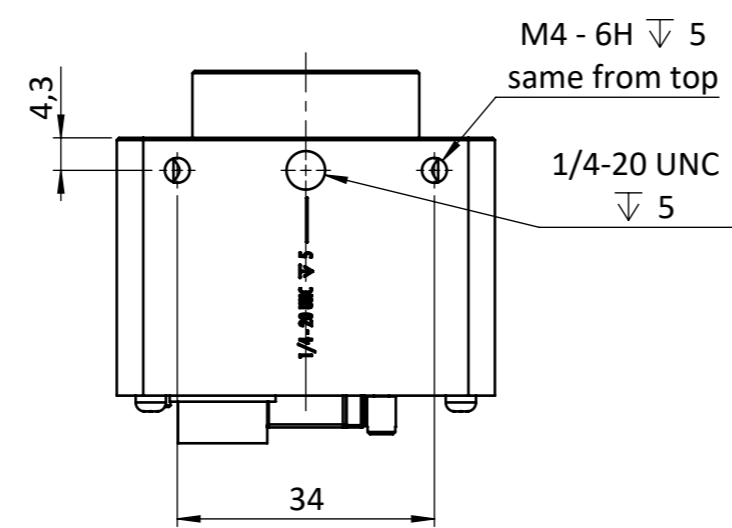
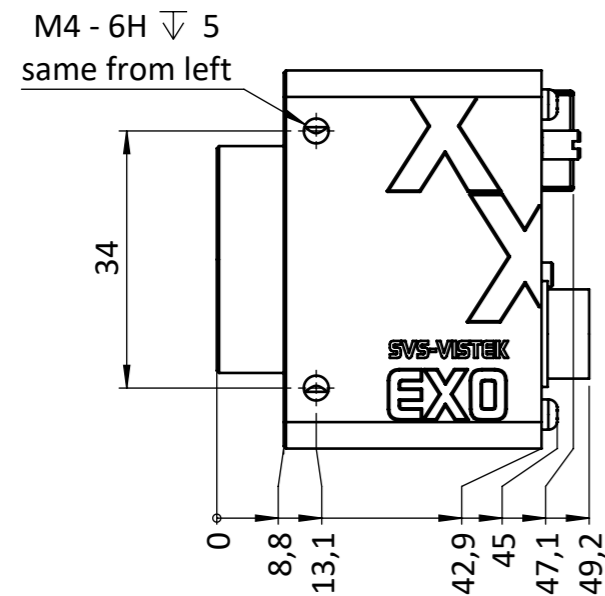


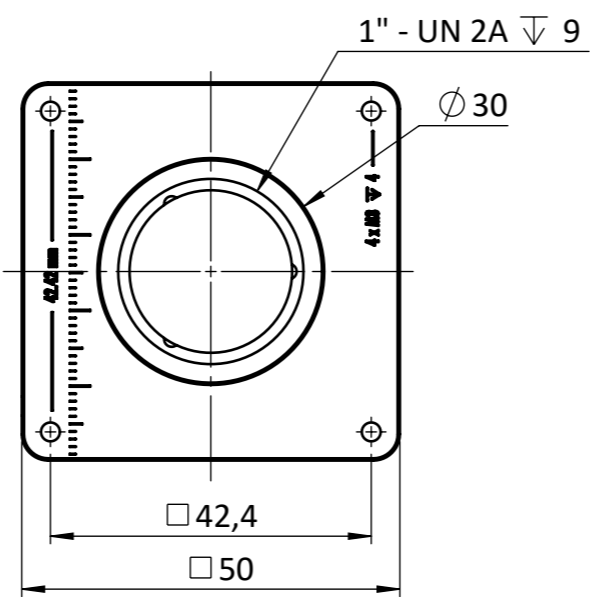
bottom view



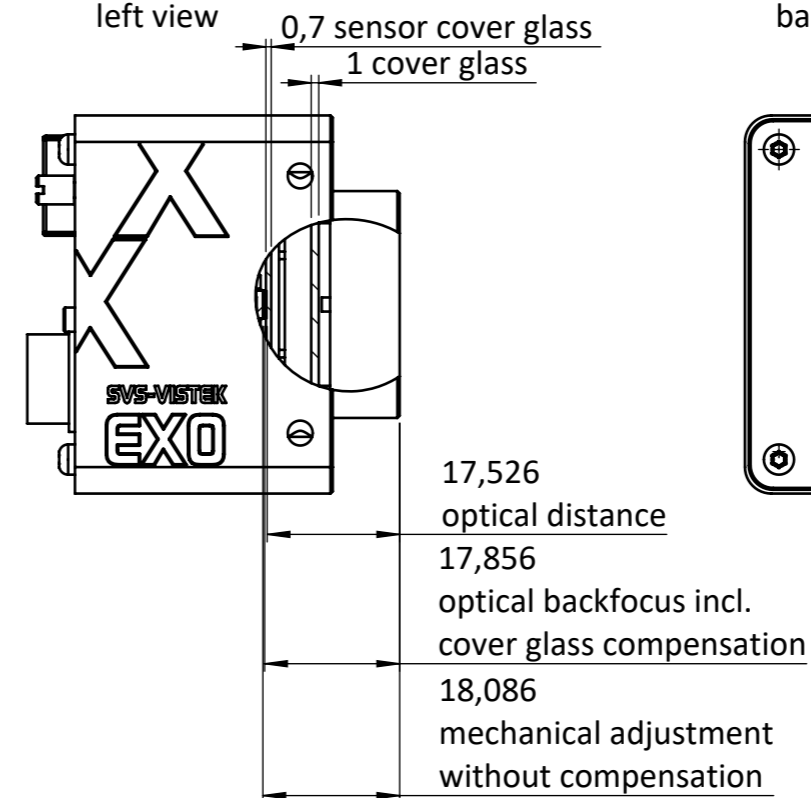
right view



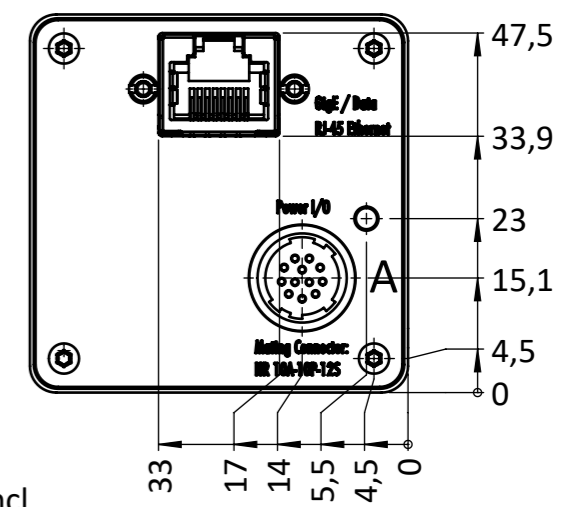
front view



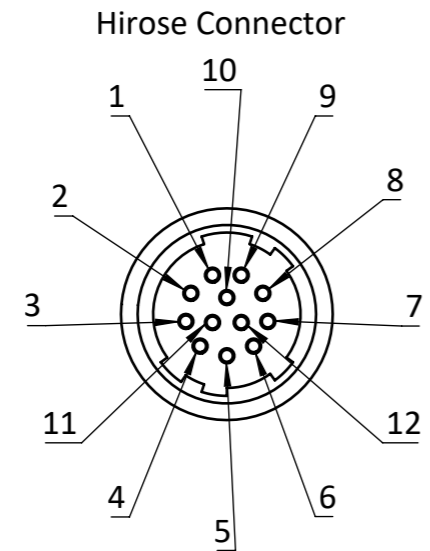
left view



back view

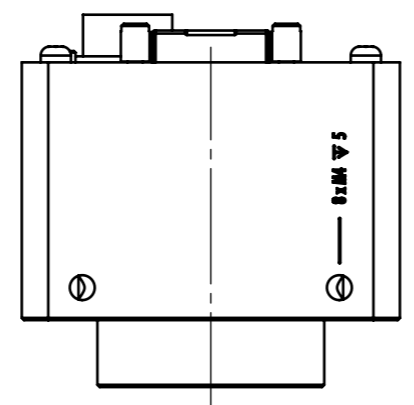


Hirose Pinout EXO, HR (CL Deca, CXP), SHR	
Pin	Signal EXO, HR (CL Deca, CXP), SHR
1	V IN- (GND)
2	V IN+ (10 - 25V)
3	IN 4 Rx D (RS232)
4	OUT 4 Tx D (RS232)
5	IN 1 (0 - 24V)
6	IN 2 (0 - 24V)
7	OUT 1 (open drain)
8	OUT 2 (open drain)
9	IN 3+ (opto IN+)
10	IN 3- (opto IN-)
11	OUT 3 (open drain)
12	OUT 0 (open drain)
	Shielding



DETAIL A
MAßSTAB 2 : 1

top view



drawing applies to
mono and color
cameras

	all dimensions in mm unless otherwise specified		Scale: 1:1	Rev.: 1						
	Customer Interface Drawing									
<table border="1"> <thead> <tr> <th>Name</th> <th>Sign.</th> <th>Date</th> </tr> </thead> <tbody> <tr> <td>S.Seiler</td> <td></td> <td>28.10.2021</td> </tr> </tbody> </table>	Name	Sign.	Date	S.Seiler		28.10.2021			Title: EXO273xGE POE	
Name	Sign.	Date								
S.Seiler		28.10.2021								
Material:		Material No.:		A3						
Weight:		Blatt / Sheet 1 / 1								